

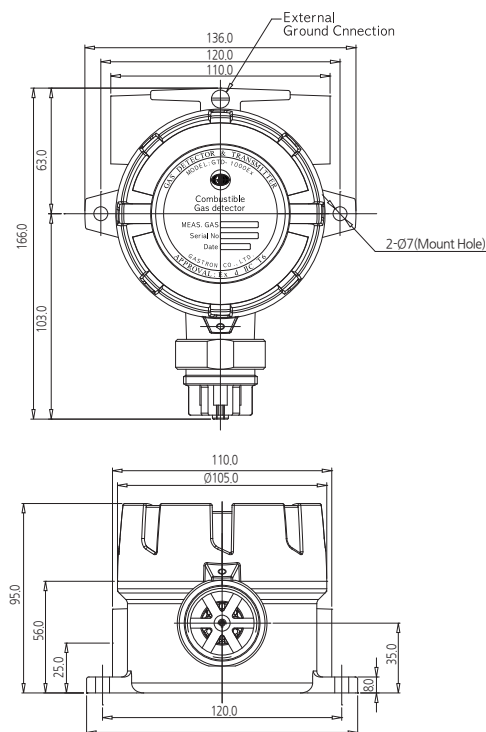
# GTD-1000Ex Transmitter Diffusion Flammable Gas Detector

| Continuous detection of flammable gases in explosion hazardous area with flame proof structure | Detection gases from low to high concentration owing to various detection principle | Stable quality and proved detection principle for service life | High quality and low cost of ownership | Simple structure and compact design | 4-20mA (Current source or Sink) output signal | Easy calibration & maintenance with inside FND display | Calibration and maintenance by one-man |

## IMAGE



## DIMENSION (Unit : mm)



## ACCESSORIES



Cable Gland

Collecting-cone

Splash guard

Rain cover

## SPECIFICATION

※ Specifications are subject to be changed without prior notice.

TRANSMITTER TYPE FLAMMABLE GAS DETECTOR			
Model	GTD-1000Ex		
Measuring gas	Flammable gases (LNG, LPG, H <sub>2</sub> , Methane, Buthane & etc)		
Measuring type	Diffusion type		
Measuring method	Catalytic cell	Hot wire semiconductor cell	Thermal conductivity cell
Measuring range	0-100% LEL	0-2000ppm	0-100% Vol
Response time	<15 sec / 90% scale		
Accuracy	±3% / Full scale		
Output signal	4-20mA DC		
Conduit connection (max)	Standard : PF 3/4"	Option : NPT 1/2", NPT3/4", M20 x 1.5P, M25 x 1.5P	
Mounting type	2" Pole mount, Wall mount, Duct mount		
Operating temperature	-20°C ~ +50°C		
Operating humidity	5 ~ 99%.RH (non-condensing)		
Dimensions	136(W) x 166(H) x 95(D)mm		
Weight	1.2kg		
Material	Housing : ALDC, SUS316(Option) / Sensor : SUS316		
CERTIFICATION			
KCs	Ex d IIC T6	KFI / CE	Refer to website