

Directional Antenna GSM / UMTS

M72142

- GSM 900/1800/ PCS1900
- 3G UMTS

Description

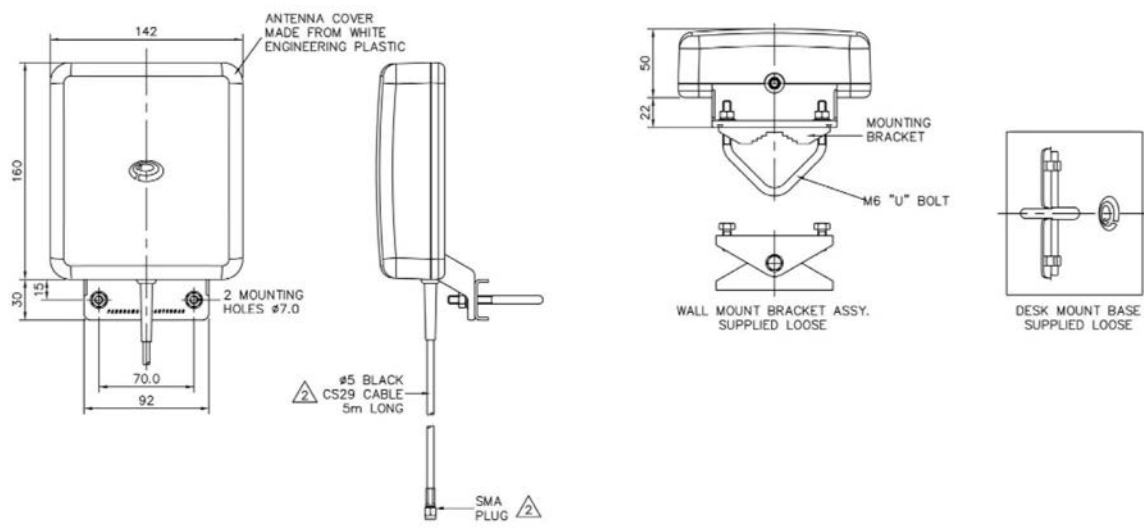
The directional antenna radiates power in one direction allowing increased performance on transit and receive at reduced interference from unwanted sources. The directional antenna uses GSM as well as UMTS bands.



Specifications

Characteristic	Description / Value
Antenna type	Directional
Frequency range	890 - 960 MHz / 1710 - 1880 MHz / 1850 - 1990 MHz / 1900 - 2170 MHz
Operational bands	GSM 900/1800/PCS1900 & 3G UMTS
Gain	8dBi (890 - 960) / 9dBi (1710 - 1900) / 11dBi (1900 - 2170)
Impedance	50 Ω
Wind load / resistance	63N @ 180km/h
Max. input power	20 W
Operating temperature	-40 ... +80°C
Connector / cable	SMA (male) / 5 m low loss coaxial cable (SMA/FME adapter included)
Dimensions	160 x 142 x 50 mm
Mounting	Pole mount / wall mount / desk mount
Material	UV stabilised ABS
Manufacturer	MC Technologies

Dimensional drawing



Last Modification: 07 June 2016